

# Product data sheet

## Characteristics

# 8910DPA42V02

Contactor, Definite Purpose, 40A, 2 pole, 7.5 HP at 230 VAC, 1 phase, 110/120 VAC 50/60 Hz coil, open



Product availability: Stock - Normally stocked in distribution facility

Price\*: 101.75 USD



### Main

Product or component type	Definite Purpose Contactor
Line Rated Current	40 A
Poles description	2P
Pole contact composition	2 NO
Range of product	DPA

### Complementary

Maximum Horse Power Rating	3 Hp 115 V AC, 1 phase 7.5 Hp 230 V AC, 1 phase
Locked rotor rated current	240 A 277 V AC 200 A 460 V AC 160 A 575 V AC
[Ue] rated operational voltage	600 V AC
[Uc] control circuit voltage	120 V AC 60 Hz 110 V AC 50 Hz
Phase	1 phase
Electrical connection	Box lugs Quick connect terminals

### Environment

Product certifications	UL Recognized CSA
------------------------	----------------------

## Ordering and shipping details

Category	21344 - 8910 DPA 4_(40 AMP)
Discount Schedule	CP1B
GTIN	00785901073475
Nbr. of units in pkg.	1
Package weight(Lbs)	17.44 Oz (494.416 g)
Returnability	Yes
Country of origin	CN

## Packing Units

Unit Type of Package 1	PCE
Package 1 Height	3.20 In (8.128 cm)
Package 1 width	4.10 In (10.414 cm)
Package 1 Length	2.60 In (6.604 cm)

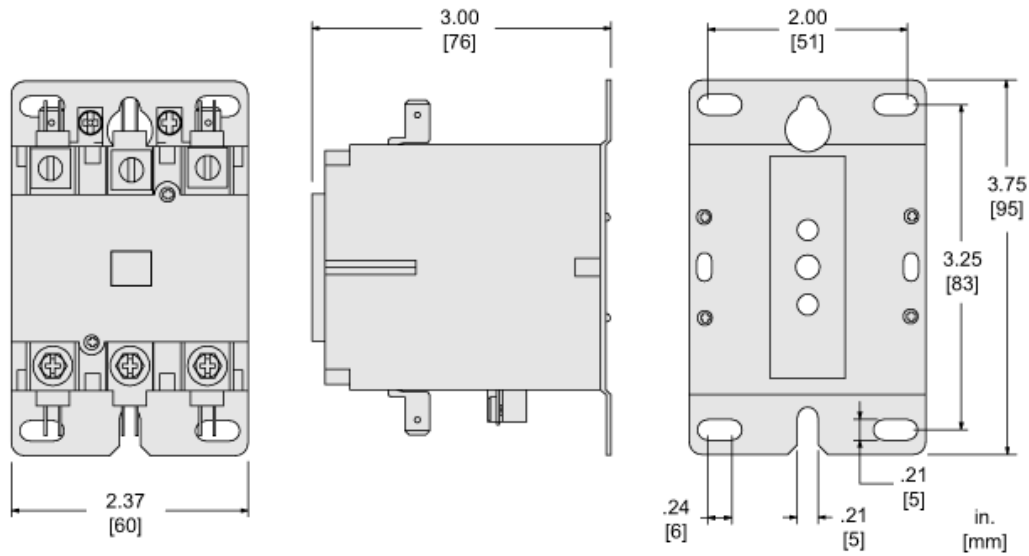
## Offer Sustainability

REACH Regulation	<a href="#">REACH Declaration</a>
EU RoHS Directive	Compliant <a href="#">EU RoHS Declaration</a>
Mercury free	Yes
RoHS exemption information	<a href="#">Yes</a>
China RoHS Regulation	<a href="#">China RoHS Declaration</a>

## Contractual warranty

Warranty	18 months
----------	-----------

Approximate Dimensions



Product Life Status : **Commercialised**